

## Optional Accessories

### Finger Guards

The HPS Imperator line of machine tool industrial molded control transformers are available with the following optional finger guard kits:

#### Optional Unfused Finger Guard Kits

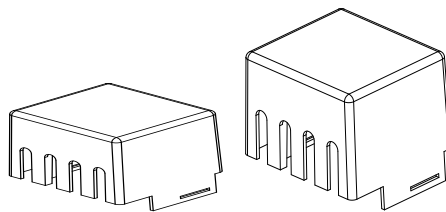
Kit Part Number	Applicable Transformer Part Number Suffixes	Applicable VA Sizes
<b>FG1</b>	AJ, AR, MQMJ, MEMX, QR, SP, PG, PP	50
<b>FG2</b>	MBMH, MGJ, MLI	50
<b>FG2</b>	All	75
<b>FG2</b>	All (excluding PH100MBMH) Refer to FG3, FG4 or FG5 below	100 150 to 1500

**Note:** Each finger guard kit supplies either the primary or secondary side.  
Included in the kit: 1 finger guard (unfused) and PHAK1 instruction sheet

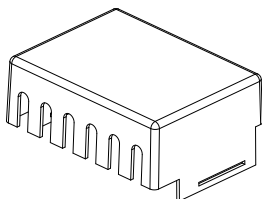
#### Optional Fused Finger Guard Kits

Kit Part Number	Applicable Transformer Part Number Suffixes	Applicable VA Sizes	Parts Included in Kit
<b>FGF1</b>	AJ, AR, MQMJ, MEMX, QR, SP, PG, PP	50	1 finger guard (fused), PHAK1 instruction sheet
<b>FGF2</b>	MBMH, MGJ, MLI	50	1 finger guard (fused), PHAK1 instruction sheet
<b>FGF2</b>	All	75	1 finger guard (fused), PHAK1 instruction sheet
<b>FGF2</b>	All (excluding PH100MBMH)	100	1 finger guard (fused), PHAK1 instruction sheet
<b>FG3</b>	MBMH	100	1 finger guard, PHAK1 instruction sheet
<b>FG3</b>	All	150	1 finger guard, PHAK1 instruction sheet
<b>FG3</b>	AJ, AR, MQMJ, MEMX, QR, SP, PG, PP	250	1 finger guard, PHAK1 instruction sheet
<b>FG4</b>	MBMH, MGJ, MLI	250	1 finger guard, PHAK1 instruction sheet
<b>FG4</b>	All	350, 500	1 finger guard, PHAK1 instruction sheet
<b>FG4</b>	AJ, AR, MQMJ, QR, SP, PP	750	1 finger guard, PHAK1 instruction sheet
<b>FG5</b>	MBMH, MEMX, MGJ, MLI, PG	750	1 finger guard, PHAK1 instruction sheet
<b>FG5</b>	All	1000, 1500	1 finger guard, PHAK1 instruction sheet

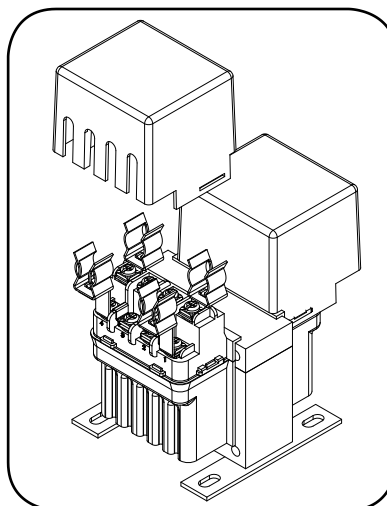
**Note:** Each finger guard kit supplies either the primary or secondary side.



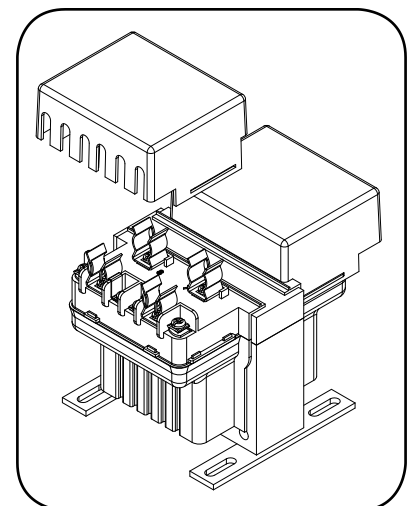
**Sample Accessory Drawing  
for Fused & Unfused  
Finger Guards**  
(for 50, 75 and 100VA)



**Sample Accessory Drawing  
for Finger Guards**  
(for 150VA and 1500VA)



**Sample Assembly Drawing  
for Finger Guard Installation**  
(For 50, 75 and 100VA)



**Sample Assembly Drawing  
for Finger Guard Installation**  
(For 150VA to 1500VA)