

# Product data sheet

Specifications



## TeSys Deca Manual Starter and Protector, thermal magnetic circuit protector, rotary handle, 13 to 18 A, screw clamp

GV2P20

Product availability: Stock - Normally stocked in distribution facility

Price\*: 278.00 USD

### Main

|                           |                         |
|---------------------------|-------------------------|
| Range                     | TeSys Deca              |
| Product Name              | TeSys GV2<br>TeSys Deca |
| Product Or Component Type | Motor circuit breaker   |
| Device Short Name         | GV2P                    |
| Device Application        | Motor protection        |
| Trip Unit Technology      | Thermal-magnetic        |

### Complementary

|   |   |
|---|---|
| Poles Description                                   | 3P  |
| Network Type  | AC  |
| Utilisation Category                                | Category A IEC 60947-2<br>AC-3 IEC 60947-4-1<br>AC-3e IEC 60947-4-1   |
| Network Frequency                                   | 50/60 Hz IEC 60947-4-1  |
| Fixing Mode   | 35 mm symmetrical DIN rail clipped<br>Panel screwed with 2 x M4 screws)   |
| Motor Power Kw                                      | 7.5 kW 400/415 V AC 50/60 Hz<br>9 kW 500 V AC 50/60 Hz<br>15 kW 690 V AC 50/60 Hz   |
| Breaking Capacity                                   | 100 kA Icu 230/240 V AC 50/60 Hz IEC 60947-2<br>50 kA Icu 400/415 V AC 50/60 Hz IEC 60947-2<br>20 kA Icu 440 V AC 50/60 Hz IEC 60947-2<br>10 kA Icu 500 V AC 50/60 Hz IEC 60947-2<br>4 kA Icu 690 V AC 50/60 Hz IEC 60947-2 |
| [Ics] Rated Service Short-Circuit Breaking Capacity | 100 % 230/240 V AC 50/60 Hz IEC 60947-2<br>50 % 400/415 V AC 50/60 Hz IEC 60947-2<br>75 % 440 V AC 50/60 Hz IEC 60947-2<br>75 % 500 V AC 50/60 Hz IEC 60947-2<br>100 % 690 V AC 50/60 Hz IEC 60947-2                        |
| Control Type  | Rotary handle   |
| Line Rated Current                                  | 18 A  |
| Thermal Protection Adjustment Range                 | 13...18 A IEC 60947-4-1   |
| Magnetic Tripping Current                           | 223 A   |
| [Ith] Conventional Free Air Thermal Current         | 18 A IEC 60947-4-1  |

Price is "List Price" and may be subject to a trade discount – check with your local distributor or retailer for actual price.

|   |   |
|---|---|
| <b>[Ue] Rated Operational Voltage</b>         | 690 V AC 50/60 Hz IEC 60947-2                               |
| <b>[Ui] Rated Insulation Voltage</b>          | 690 V AC 50/60 Hz IEC 60947-2                               |
| <b>[Uimp] Rated Impulse Withstand Voltage</b> | 6 kV IEC 60947-2  |
| <b>Phase Failure Sensitivity</b>              | Yes IEC 60947-4-1   |
| <b>Suitability For Isolation</b>              | Yes IEC 60947-1 § 7-1-6                                     |
| <b>Power Dissipation Per Pole</b>             | 2.5 W   |
| <b>Mechanical Durability</b>                  | 100000 cycles   |
| <b>Electrical Durability</b>                  | 100000 cycles AC-3 415 V In<br>100000 cycles AC-3e 415 V In |
| <b>Rated Duty</b>                             | Continuous IEC 60947-4-1                                    |
| <b>Tightening Torque</b>                      | 15.05 lbf.in (1.7 N.m) screw clamp terminal                 |
| <b>Width</b>                                  | 1.77 in (45 mm)   |
| <b>Height</b>                                 | 3.50 in (89 mm)   |
| <b>Depth</b>                                  | 3.82 in (97 mm)   |
| <b>Color</b>                                  | Dark grey   |

## Environment

|  |   |
|--|---|
| <b>Standards</b>                             | EN/IEC 60947-2<br>EN/IEC 60947-4-1  |
| <b>Product Certifications</b>                | CCC<br>UL<br>CSA<br>EAC<br>ATEX<br>LROS (Lloyds register of shipping)<br>BV<br>RINA<br>DNV-GL<br>UKCA |
| <b>Ik Degree Of Protection</b>               | IK04  |
| <b>Ip Degree Of Protection</b>               | IP20 IEC 60529  |
| <b>Climatic Withstand</b>                    | IACS E10  |
| <b>Ambient Air Temperature For Storage</b>   | -40...176 °F (-40...80 °C)  |
| <b>Fire Resistance</b>                       | 1760 °F (960 °C) IEC 60695-2-11   |
| <b>Ambient Air Temperature For Operation</b> | -4...140 °F (-20...60 °C)   |
| <b>Mechanical Robustness</b>                 | Shocks 30 Gn for 11 ms<br>Vibrations 5 Gn, 5...150 Hz   |
| <b>Operating Altitude</b>                    | 6561.68 ft (2000 m)   |

## Ordering and shipping details

|                          |               |
|--------------------------|---------------|
| <b>Category</b>          | US10I1122367  |
| <b>Discount Schedule</b> | 0111          |
| <b>Gtin</b>              | 3389110213515 |
| <b>Returnability</b>     | Yes           |
| <b>Country Of Origin</b> | TH            |

## Packing Units

|                                     |                            |
|-------------------------------------|----------------------------|
| <b>Unit Type Of Package 1</b>       | PCE                        |
| <b>Number Of Units In Package 1</b> | 1                          |
| <b>Package 1 Height</b>             | 1.89 in (4.800 cm)         |
| <b>Package 1 Width</b>              | 3.66 in (9.300 cm)         |
| <b>Package 1 Length</b>             | 3.94 in (10.000 cm)        |
| <b>Package 1 Weight</b>             | 11.78 oz (334.000 g)       |
| <b>Unit Type Of Package 2</b>       | S02                        |
| <b>Number Of Units In Package 2</b> | 20                         |
| <b>Package 2 Height</b>             | 5.91 in (15.000 cm)        |
| <b>Package 2 Width</b>              | 11.81 in (30.000 cm)       |
| <b>Package 2 Length</b>             | 15.75 in (40.000 cm)       |
| <b>Package 2 Weight</b>             | 15.39 lb(US) (6.982 kg)    |
| <b>Unit Type Of Package 3</b>       | P06                        |
| <b>Number Of Units In Package 3</b> | 320                        |
| <b>Package 3 Height</b>             | 29.53 in (75.000 cm)       |
| <b>Package 3 Width</b>              | 23.62 in (60.000 cm)       |
| <b>Package 3 Length</b>             | 31.50 in (80.000 cm)       |
| <b>Package 3 Weight</b>             | 260.75 lb(US) (118.272 kg) |

## Contractual warranty

|                 |           |
|-----------------|-----------|
| <b>Warranty</b> | 18 months |
|-----------------|-----------|

## Sustainability

**Green Premium™ label** is Schneider Electric's commitment to delivering products with best-in-class environmental performance. Green Premium promises compliance with the latest regulations, transparency on environmental impacts, as well as circular and low-CO<sub>2</sub> products.

**Guide to assessing product sustainability** is a white paper that clarifies global eco-label standards and how to interpret environmental declarations.

[Learn more about Green Premium >](#)

[Guide to assess a product's sustainability >](#)

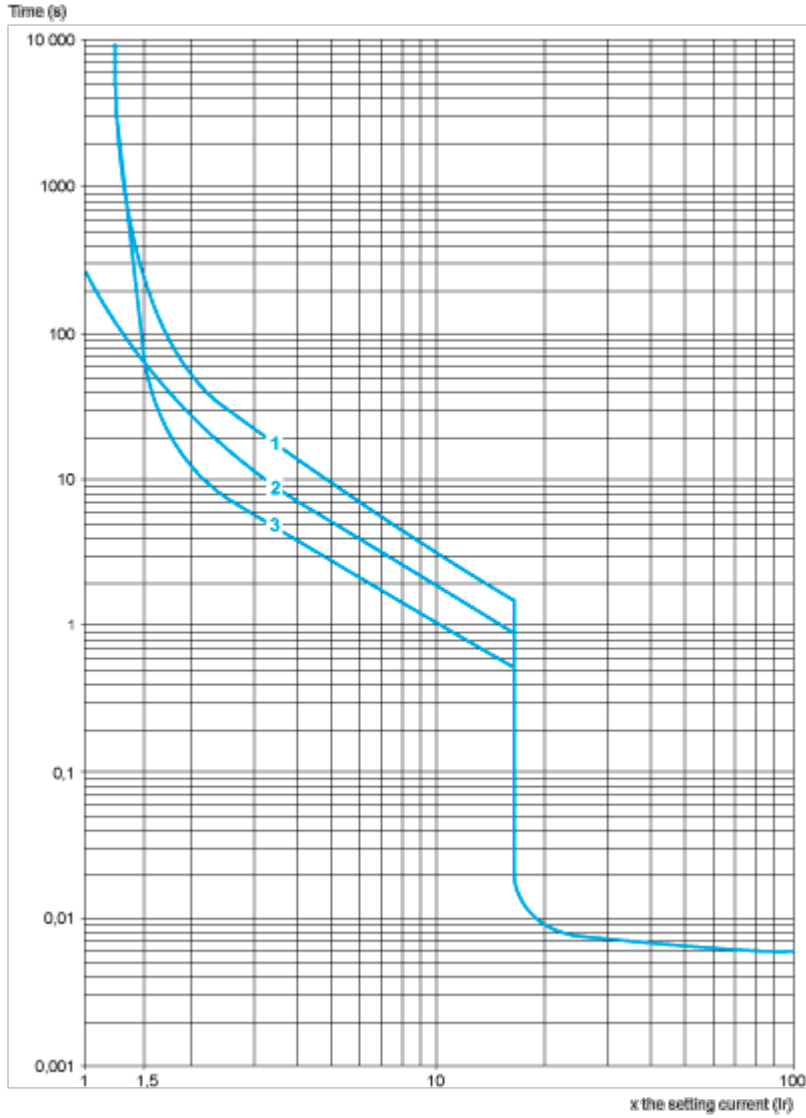


### Transparency

|                                  |   |
|----------------------------------|---|
| <b>Reach Regulation</b>          | <a href="#">REACH Declaration</a>   |
| <b>Eu Rohs Directive</b>         | Compliant with Exemptions   |
| <b>China Rohs Regulation</b>     | <a href="#">China RoHS declaration</a><br>Product out of China RoHS scope. Substance declaration for your information.  |
| <b>Environmental Disclosure</b>  | <a href="#">Product Environmental Profile</a>   |
| <b>Weee</b>                      | The product must be disposed on European Union markets following specific waste collection and never end up in rubbish bins.  |
| <b>Circularity Profile</b>       | <a href="#">End of Life Information</a>   |
| <b>California Proposition 65</b> | WARNING: This product can expose you to chemicals including: Antimony oxide & Antimony trioxide, which is known to the State of California to cause cancer. For more information go to <a href="http://www.P65Warnings.ca.gov">www.P65Warnings.ca.gov</a> |

Performance Curves

**Thermal-Magnetic Tripping Curves for GV2ME and GV2P**  
 Average Operating Times at 20 °C Related to Multiples of the Setting Current



- 1 3 poles from cold state
- 2 2 poles from cold state
- 3 3 poles from hot state

**Current Limitation on Short-Circuit for GV2ME and GV2P (3-Phase 400/415 V)**

**Dynamic Stress**

$I_{peak} = f(\text{prospective } I_{sc}) \text{ at } 1.05 U_e = 435 \text{ V}$



- 1 Maximum peak current
- 2 24-32 A
- 3 20-25 A
- 4 17-23 A
- 5 13-18 A
- 6 9-14 A
- 7 6-10 A
- 8 4-6.3 A
- 9 2.5-4 A
- 10 1.6-2.5 A
- 11 1-1.6 A
- 12 Limit of rated ultimate breaking capacity on short-circuit of GV2ME (14, 18, 23, and 25 A ratings).

**Thermal Limit on Short-Circuit for GV2P**

Thermal Limit in kA<sup>2</sup>s in the Magnetic Operating Zone

Sum of I<sup>2</sup>dt = f (prospective Isc) at 1.05 Ue = 435 V

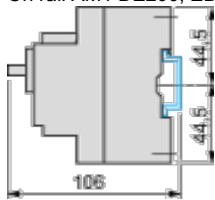


- 1 24-32 A
- 2 20-25 A
- 3 17-23 A
- 4 13-18 A
- 5 9-14 A
- 6 6-10 A
- 7 4-6.3 A
- 8 2.5-4 A
- 9 1.6-2.5 A
- 10 1-1.6 A

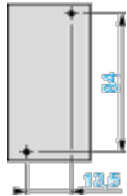
Dimensions Drawings

**GV2P**

On rail AM1 DE200, ED200 (35 x 15)



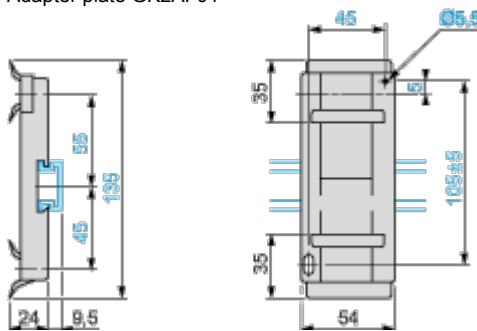
Panel mounted



On pre-slotted plate AM1 PA



Adapter plate GK2AF01



Combination GV2P + TeSys d contactor

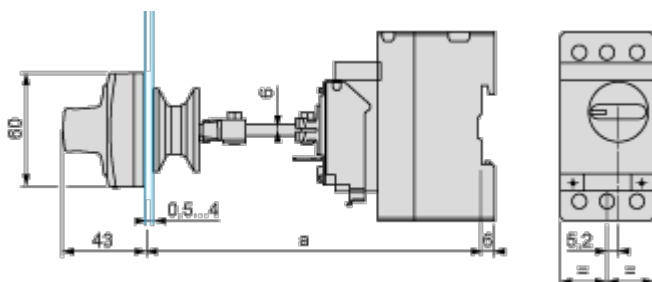




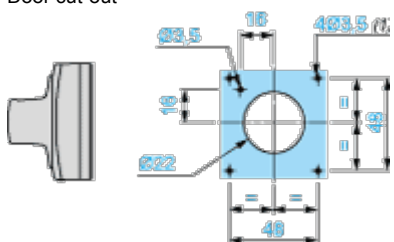
| GV2P + | LC1D09...D18 | LC1D25 and D32 |
|--------|--------------|----------------|
| b      | 176.4        | 186.8          |
| c1     | 100.1        | 106.4          |
| c      | 105.6        | 111.9          |
| d1     | 95           | 95             |
| d      | 100.5        | 100.5          |

**Mounting**

Mounting of External Operator GV2APN01, GV2APN02 or GV2APN04 for Motor Circuit Breakers GV2P

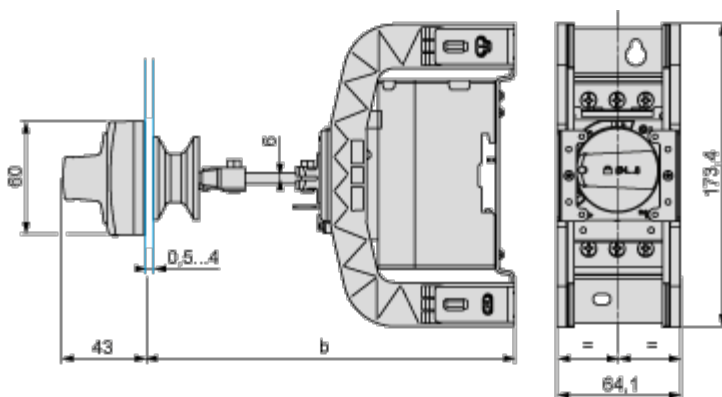


Door cut-out



(1) For IP65 only.

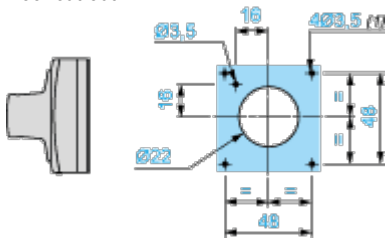
Mounting of External Operator GVAPH02 for Motor Circuit Breakers GV2P



|                                | a       |         | b       |         |
|--------------------------------|---------|---------|---------|---------|
|                                | Minimum | Maximum | Minimum | Maximum |
| GV2APN <sub>..</sub>           | 140     | 250     | -       | -       |
| GV2APN <sub>..</sub> + GVAPH02 | -       | -       | 151     | 250     |

|   | a       |         | b       |         |
|---|---------|---------|---------|---------|
|   | Minimum | Maximum | Minimum | Maximum |
| GV2APN $\bullet\bullet$ + GVAPK11           | 250     | 434     | –       | –       |
| GV2APN $\bullet\bullet$ + GVAPH02 + GVAPK11 | –       | –       | 250     | 445     |

Door cut-out



(1) For IP65 only.

## Connections and Schema

---

GV2P••

